



INSTRUCTIONS FOR USE

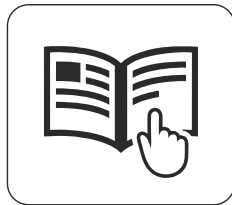
***WORK
EFFICIENT
WORK
WITH SONIC***



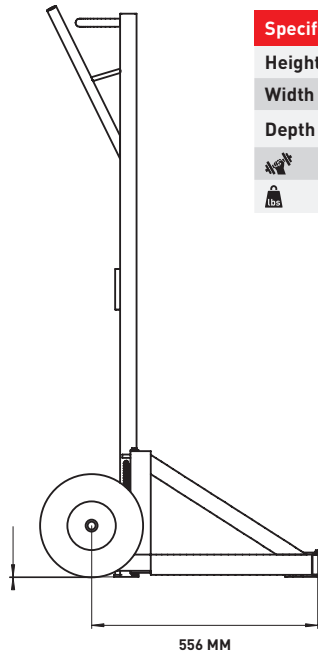
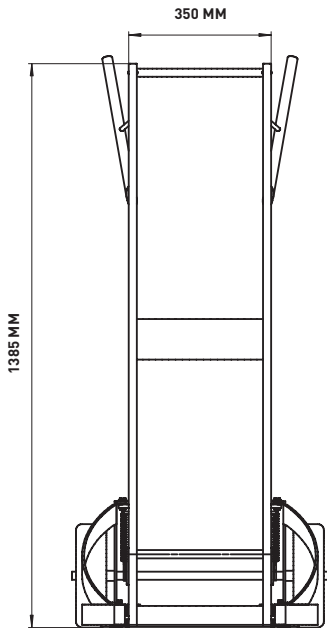
WARNINGS

We thank you for buying this Sonic quality product. Do not overload beyond rated capacity (200KG). This Sonic product is fully guaranteed against manufacturing defects for a period of 36 months from the date of purchase.



If your product proves faulty during the guarantee period, it should be returned to the place of purchase together with the original receipt.

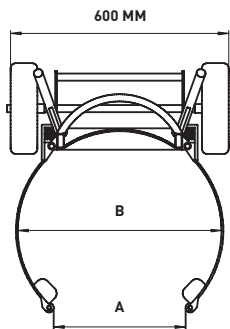


NOTE: Do not overtighten the bolts, this can cause damage to the guide bush!

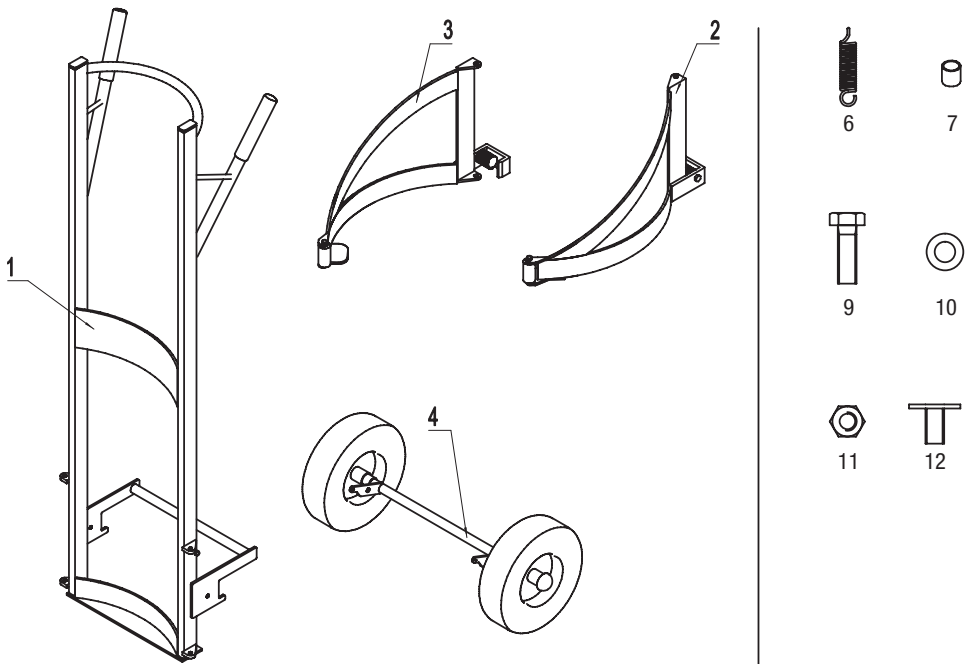


Specifications

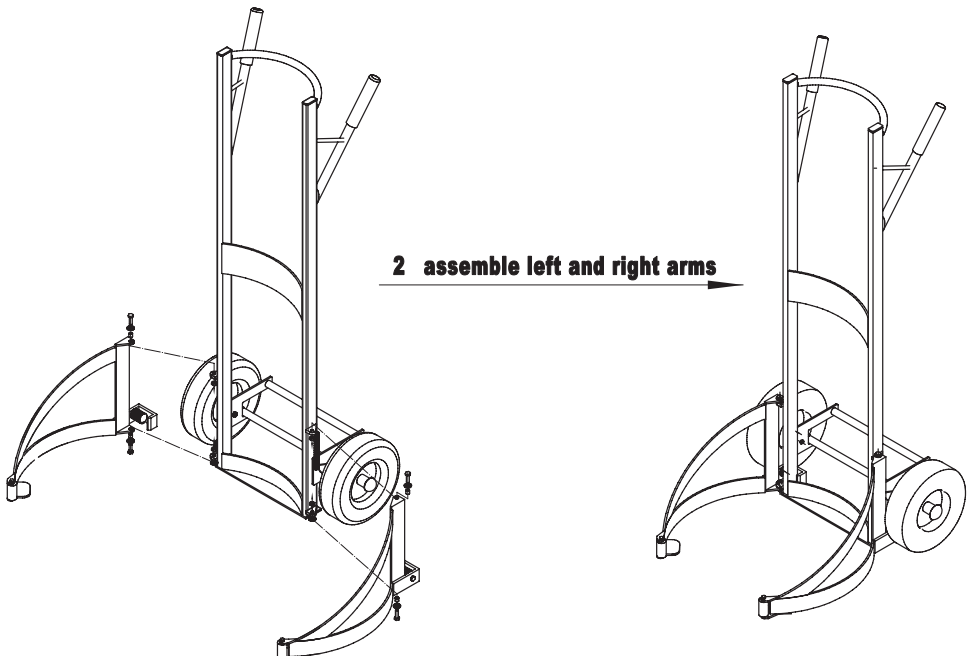
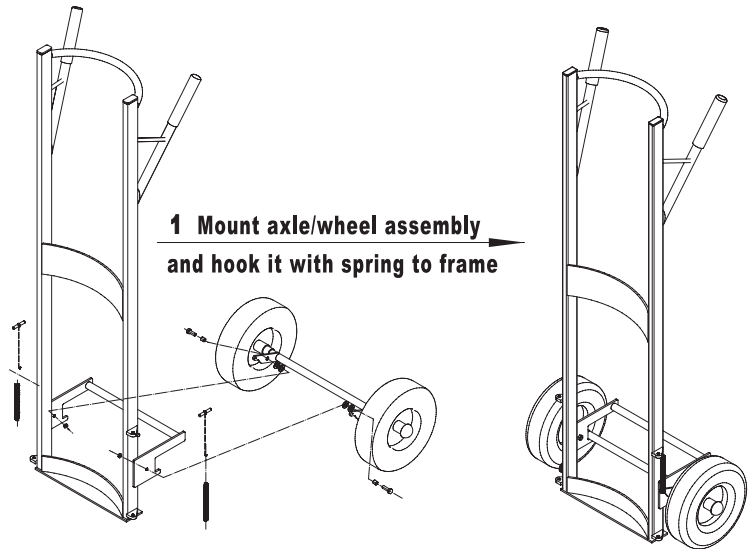
Height =	1385 mm
Width =	610 mm
Depth =	695 mm
	200 kg
	20,5 kg

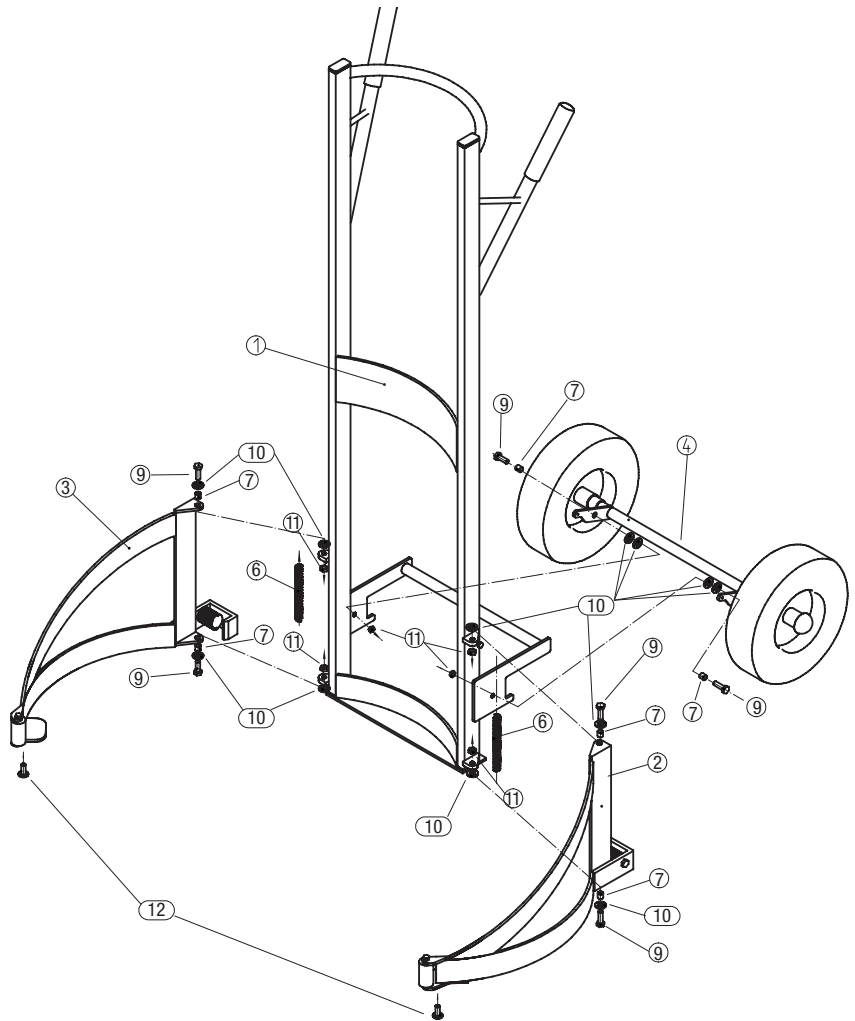


	NEUTRAL/STILL	EXPANDED
A	440 MM ±10MM	730 MM + 20MM - 10MM
B	560 MM ±10MM	750 MM + 20MM - 10MM

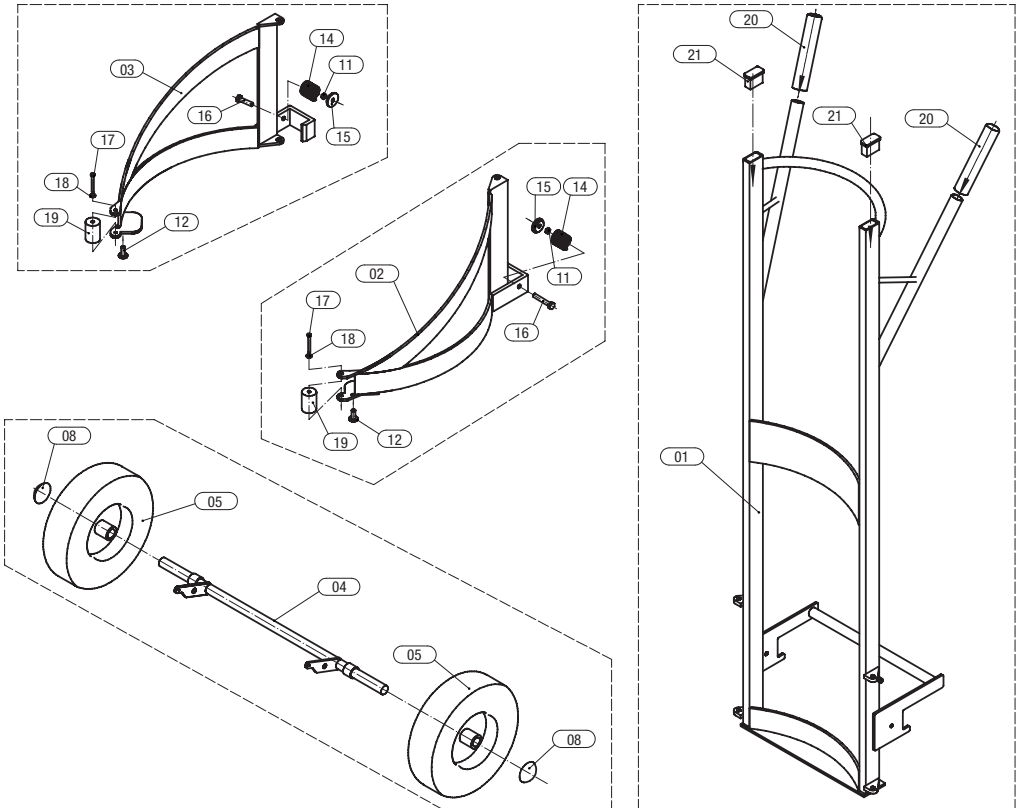


ART NR	DESCRIPTION	QTY	ART NR	DESCRIPTION	QTY
4822332-01	MAIN STAND WELDMENT	1	4822332-07	SPACER SPOOL	6
4822332-02	LEFT CLAMP ARM WELDMENT	1	4822332-09	HEX BOLT M8-1.25x25MM	6
4822332-03	RIGHT CLAMP ARM WELDMENT	1	4822332-10	FLAT WASHER M10 ID10.5xOD20x2.0	12
4822332-04	AXLE WELDMENT	1	4822332-11	HEXAGONAL NUT M8-1.25	6
4822332-06	TENSION SPRING Ø 10x1.6	2	4822332-12	NYLON PLUGS M8-1.25x15MM (SPARE)	2





ART NR	DESCRIPTION	QTY	ART NR	DESCRIPTION	QTY
4822332-01	MAIN STAND WELDMENT	1	4822332-07	SPACER SPOOL	6
4822332-02	LEFT CLAMP ARM WELDMENT	1	4822332-09	HEX BOLT M8-1.25x25MM	6
4822332-03	RIGHT CLAMP ARM WELDMENT	1	4822332-10	FLAT WASHER M10 ID10.5xOD20x2.0	12
4822332-04	AXLE WELDMENT	1	4822332-11	HEXAGONAL NUT M8-1.25	6
4822332-06	TENSION SPRING Ø 10x1.6	2	4822332-12	NYLON PLUGS M8-1.25x15MM (SPARE)	2




ART NR	DESCRIPTION	QTY	ART NR	DESCRIPTION	QTY
4822332-01	MAIN STAND WELDMENT	1	4822332-14	COMPRESS SPRING	2
4822332-02	RIGHT CLAMP ARM WELDMENT	1	4822332-15	WASHER WITH THREAD	2
4822332-03	LEFT CLAMP ARM WELDMENT	1	4822332-16	HEX BOLT M8-1.25x45MM	2
4822332-04	AXLE WELDMENT	1	4822332-17	HEX BOLT M6-1.0x60MM	2
4822332-05	PU FOAM WHEEL 10"X3-4.00	2	4822332-18	FLAT WASHER M6	2
4822332-08	AXLE CAP	2	4822332-19	NYLON ROLLER	2
4822332-11	HEXAGONAL NUT M8-1.25	2	4822332-20	END CAP FOR FRAME	2
4822332-12	NYLON PLUGS M8-1.25x15MM (SPARE)	2	4822332-21	PIPE PLUG	1

ARE YOU READY?

**WORK
EFFICIENT
WORK
WITH SONIC**

SONIC EQUIPMENT BV
Component 114 - 116
1446 WP Purmerend
The Netherlands
Tel. +31 299 437 000
Fax +31 299 436 610
info@sonic-equipment.com

-  Sonic Equipment
-  [sonic.equipment](https://www.instagram.com/sonic.equipment)
-  Sonic Equipment Global
-  Sonic Equipment BV

